

# INSTALLATION METHOD

Art. 54 - 55 - 56 - 57 - 58 - 60

- 1 - Prepare the flexible collar by cutting according to the requested diameter of the pipe.
- 2 - Install the first waterproofing membrane cutting it in correspondence to the protruding pipe.
- 3 - Heat the surface of the membrane around the protruding pipe and place the flexible collar in position while the surface is still hot in order to ensure the correct attachment to the underside of the flange.
- 4 - Heat a piece of membrane and with the use of a trowel use the molten compound to fill the ribs of the flange.
- 5 - Proceed with the installation of the second layer of waterproofing membrane, stay flush with the base of the flexible collar.
- 6 - Insert the air vent/vapour extractor over the protruding pipe.

On flat surfaces it is necessary that the protruding ventilation pipe protrudes 31 cm above the roof deck for both diameters.

In the case of tiled roofs the ventilation pipe must protrude 30 cm above the tile, the pipes will then be covered by the cap for roof tile and the vent pipe.

**NOTE:** In the case of tiled roof the flexible collar must be replaced with the cap piece Art. 60.

## 01.10 ANTI-CONDENSE EXTRACTOR, FLEXIBLE COLLAR IN IGOM.CE

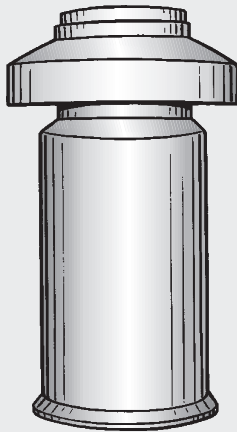
### DESCRIPTION FOR SPECIFICATIONS

**Art. 54 - 56 - 55 - 57**

Supply and installation of ITALPROFILI® flexible collar or similar, made from flexible synthetic rubber IGOM CE having a ribbed flange which must be round and flexible, suitable for protruding pipes with the following diameters: 80-90-100-110-115-125; the clamping rings must be in stainless steel.

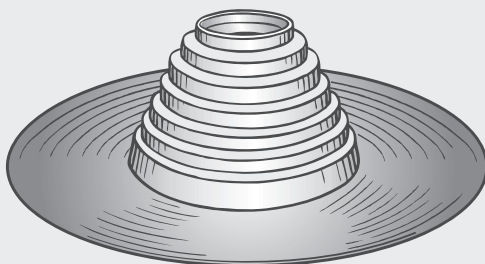
**Art. 58**

Supply and installation of ITALPROFILI® Air vent/Vapour extractors or similar, for ventilation pipes coming from bathrooms, kitchens etc. Diameter 100 mm, height 305 mm or diameter 125 mm, height 350 mm and relative base connection installed between two waterproofing membranes.

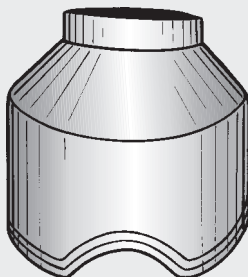


^ ART. 54 - 56

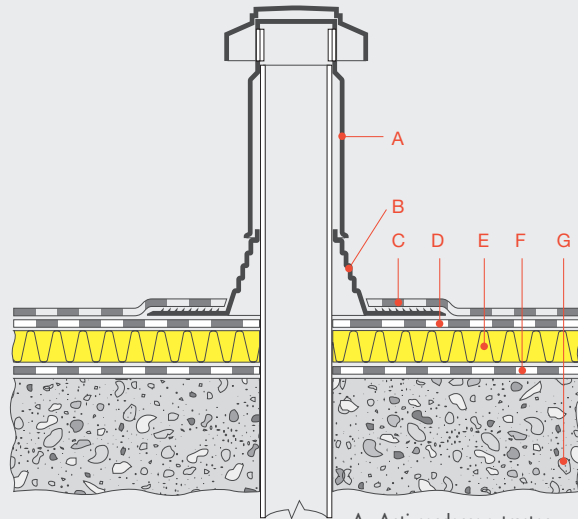
^ ART. 55 - 57



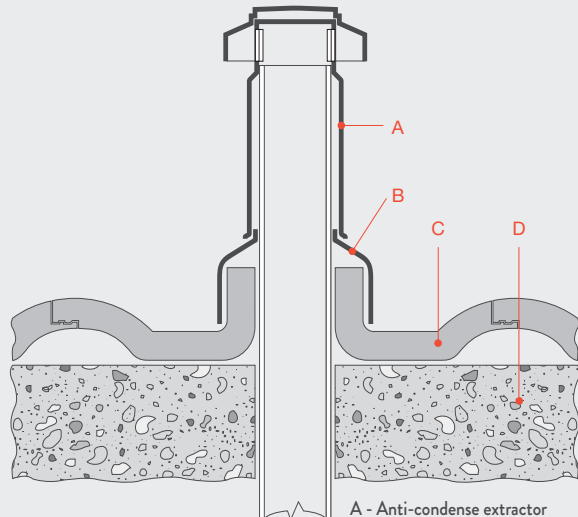
^ ART. 58



^ ART. 60



- A - Anti-condense extractor
- B - Flexible collar
- C - Second layer or piece of bituminous membrane
- D - First layer of bituminous membrane
- E - Insulation
- F - Vapour barrier
- G - Deck



- A - Anti-condense extractor
- B - Cap for roof tiles
- C - Roof tiles
- D - Deck