

# INSTALLATION METHOD

Art. 1 - 5 - 2 - 6 - 3 - 8 - 4 - 9 - 111

Art. 150 - 1.1 - 13 - 10 - 14 - 11 - 16 - 12 - 17 - 112

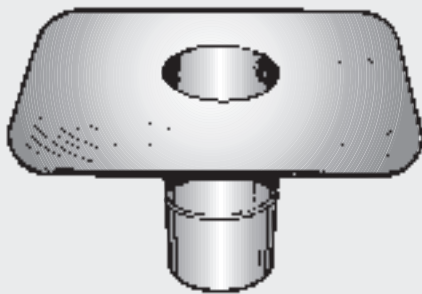
- 1 - Apply a layer of primer to the substrate around the area of the drain pipe (approx 500x500 mm) use the quantities indicated by the producer.
- 2 - Torch apply first layer of waterproofing membrane and cut out the area in correspondence to the drain pipe.
- 3 - Heat the surface of the membrane until molten, then place the drain unit into position thus sealing the underside of the drain unit to the waterproofing layer.
- 4 - Heat a small piece of membrane and spread with a trowel the melted compound in order to cover the ribbed surface of the flange.
- 5 - Install the second layer of membrane by heating both the previously spread compound as well as the second waterproofing layer.
- 6 - Cross cut in the membrane in correspondence to the exit of the drain unit and press around the inside of stem.
- 7 - Insert the leaf or gravel grate.

**NOTE:** *If only one layer of membrane is being used, at point 2 apply a 500x500 mm piece of the waterproofing membrane. Ensure that all areas are well pressed and sealed.*

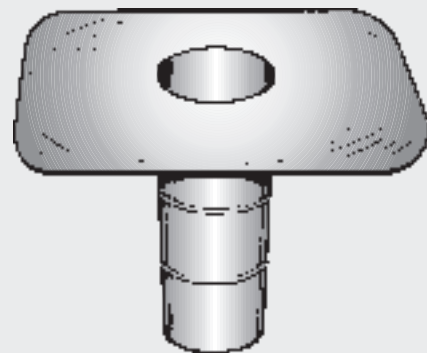
## 01.1 "UNIVERSAL" ANTI-BACKUP ROOF DRAIN IN IGOM.CE

### DESCRIPTION FOR SPECIFICATIONS

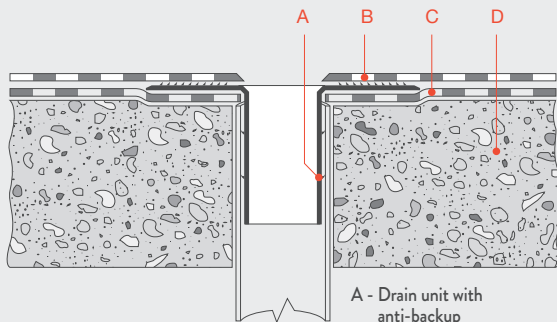
Supply and installation of ITALPROFILI® "Universal" drain unit or similar, made from flexible synthetic rubber IGOM.CE, having a ribbed flange which must extend at least 12 cm beyond the circumference of the drain pipe and a 180 or 250 mm long anti-backup stem suitable for pipe Ø..... complete with leaf or gravel grate.



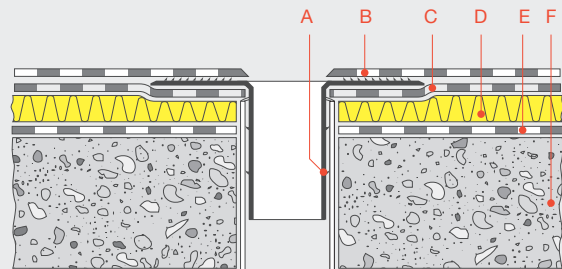
H mm. 180



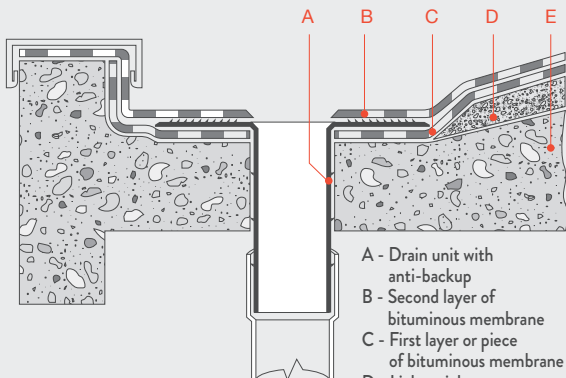
H mm. 250



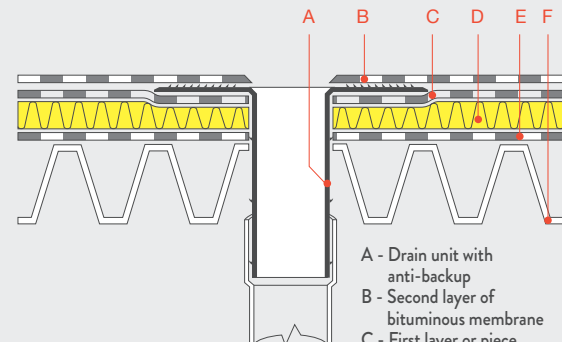
- A - Drain unit with anti-backup
- B - Second layer of bituminous membrane
- C - First layer or piece of bituminous membrane
- D - Deck



- A - Drain unit with anti-backup
- B - Second layer of bituminous membrane
- C - First layer or piece of bituminous membrane
- D - Insulation
- E - Vapour barrier
- F - Deck



- A - Drain unit with anti-backup
- B - Second layer of bituminous membrane
- C - First layer or piece of bituminous membrane
- D - Lightweight concrete to falls
- E - Deck



- A - Drain unit with anti-backup
- B - Second layer of bituminous membrane
- C - First layer or piece of bituminous membrane
- D - Insulation
- E - Vapour barrier
- F - Deck